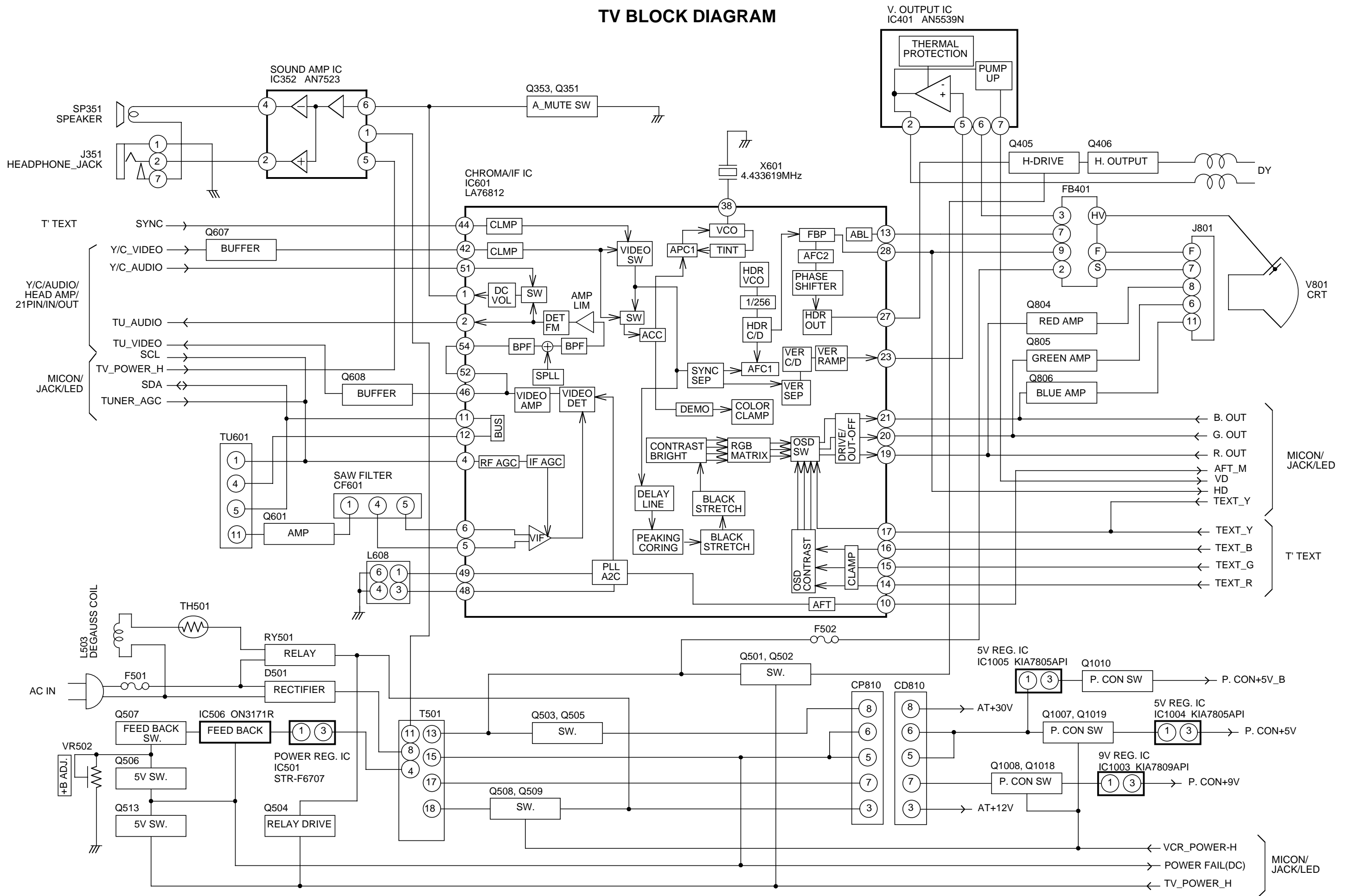
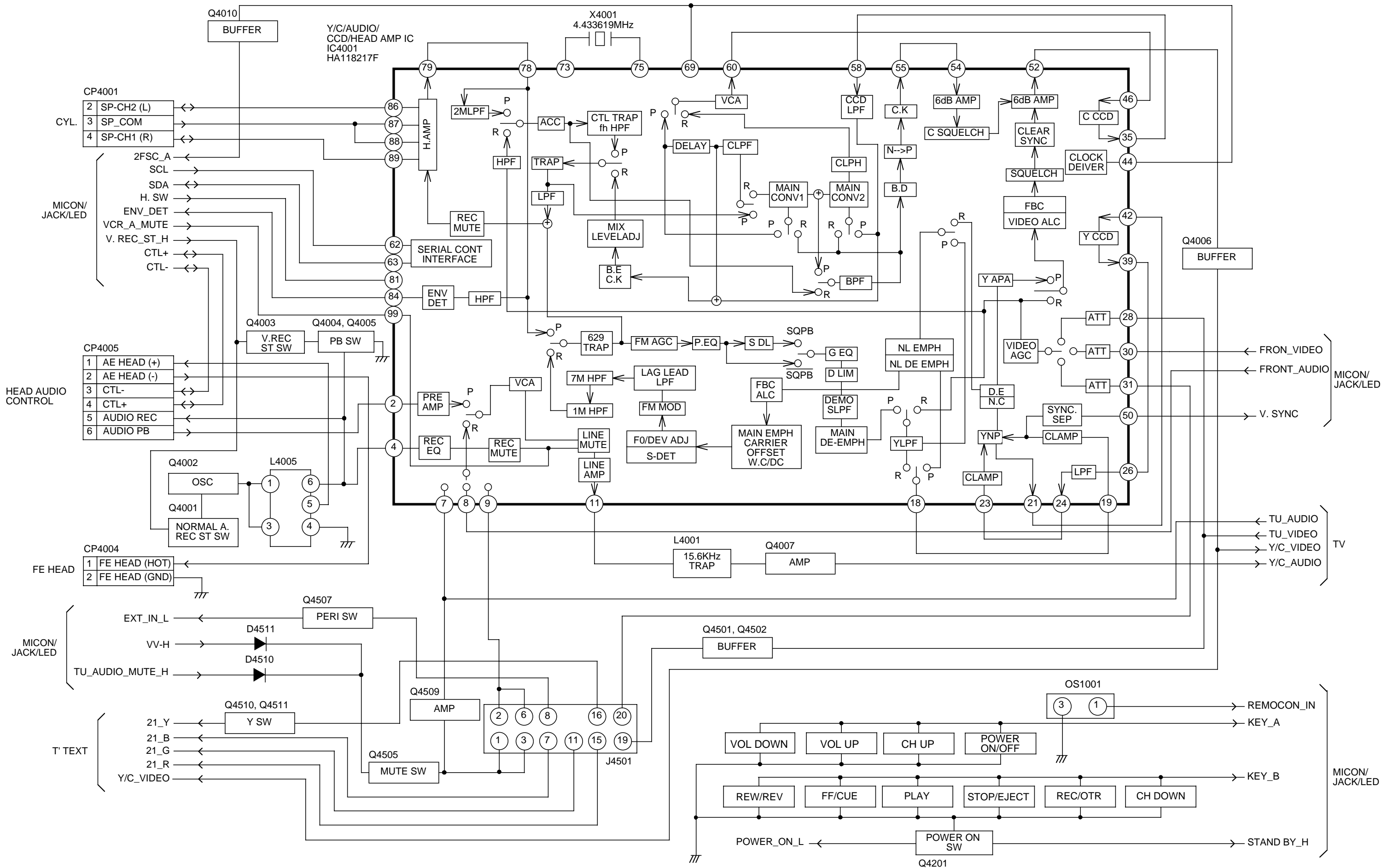


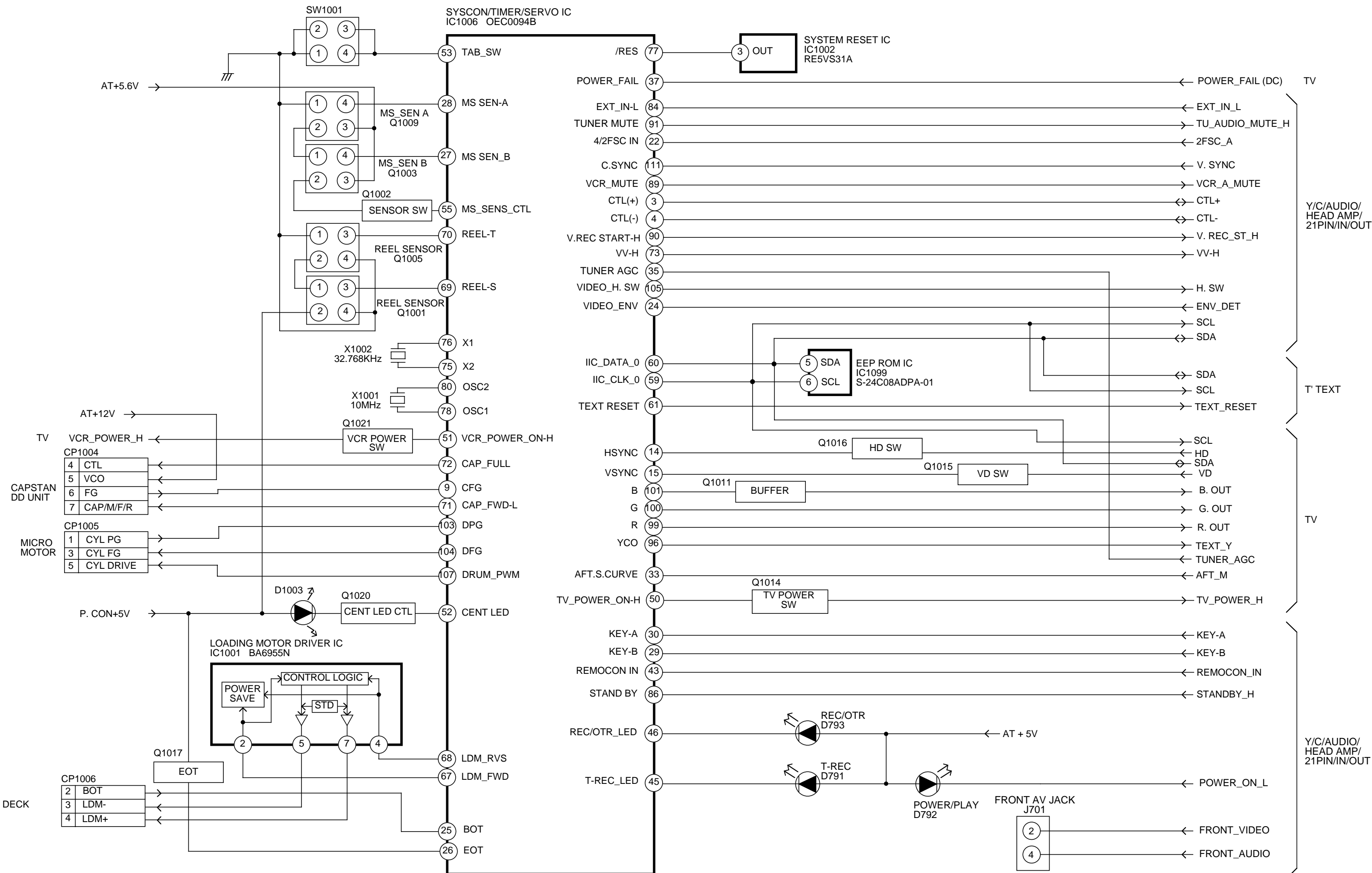
# TV BLOCK DIAGRAM



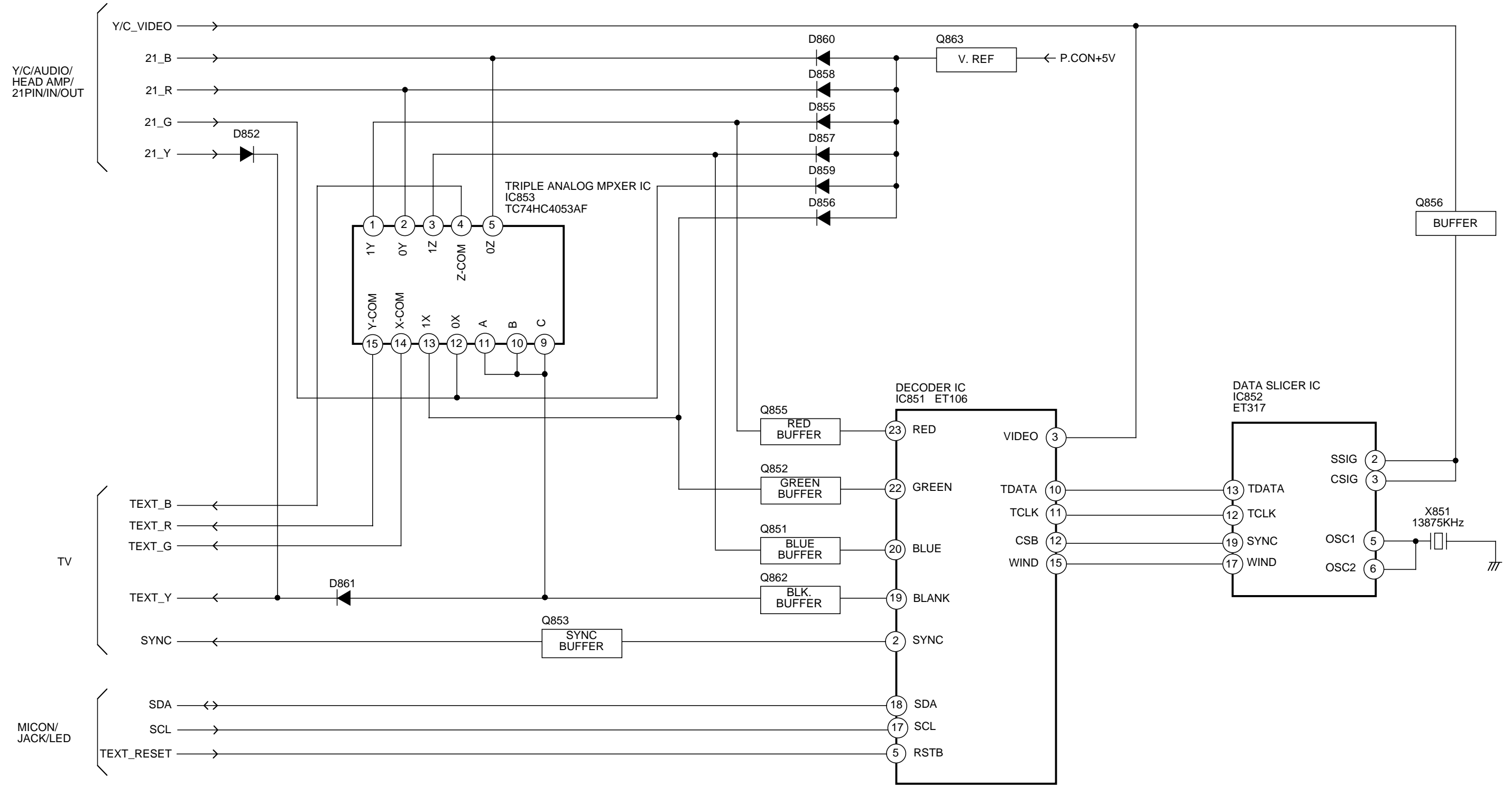
# Y/C/AUDIO/HEAD AMP/21PIN/IN/OUT BLOCK DIAGRAM



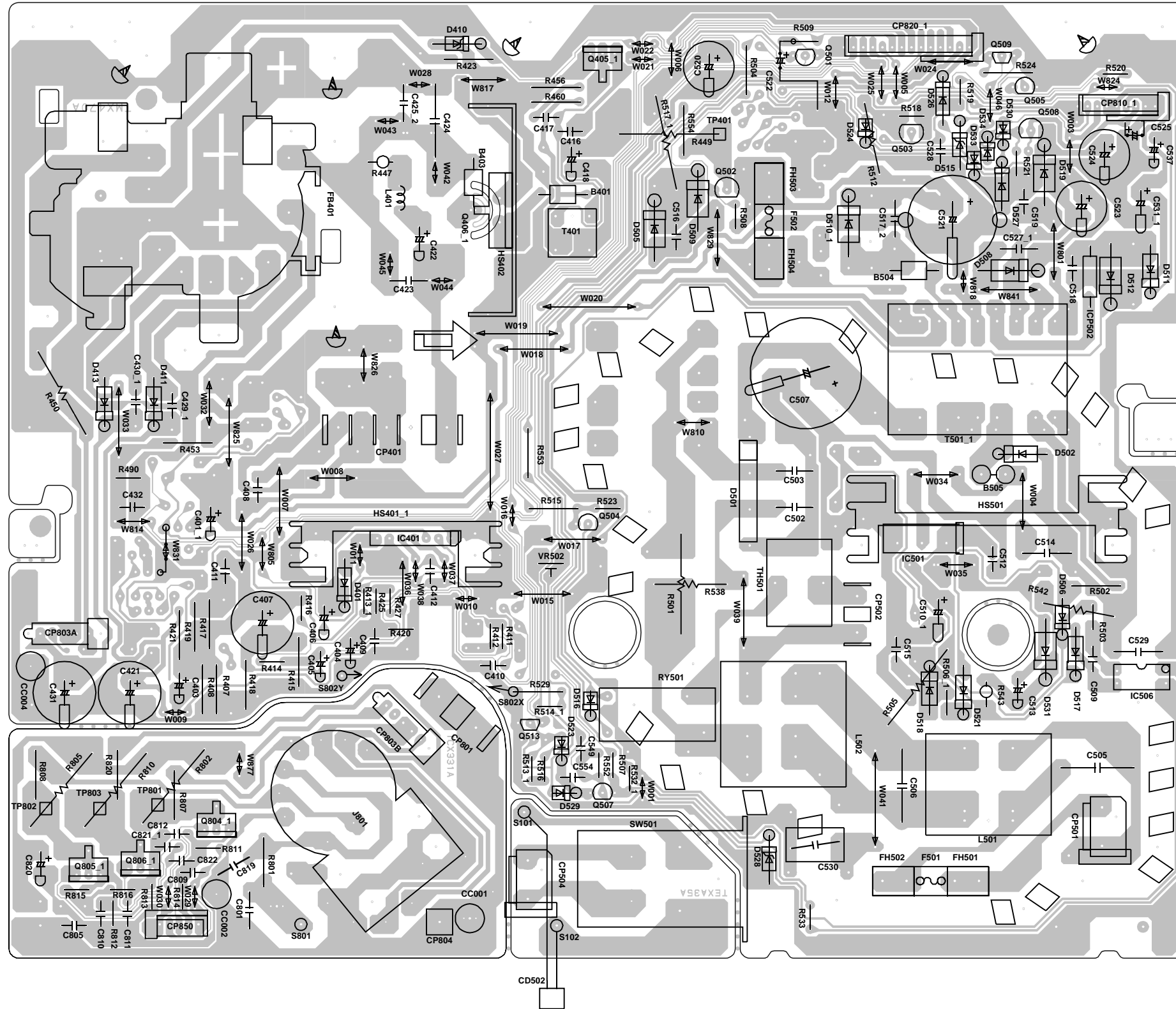
# MICON/JACK/LED BLOCK DIAGRAM



# T' TEXT BLOCK DIAGRAM

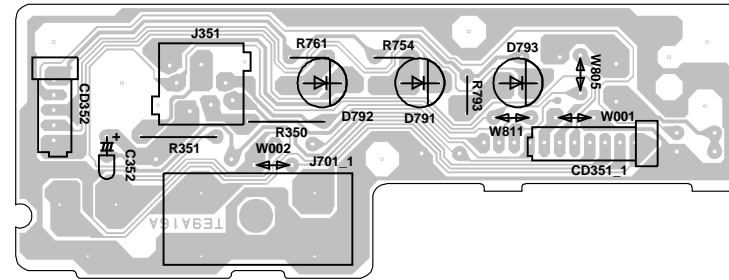


PRINTED CIRCUIT BOARDS  
MAIN/CRT/POWER SW (INSERTED PARTS)  
SOLDER SIDE



# PRINTED CIRCUIT BOARDS

## OPERATION SOLDER SIDE



## DECK SOLDER SIDE

